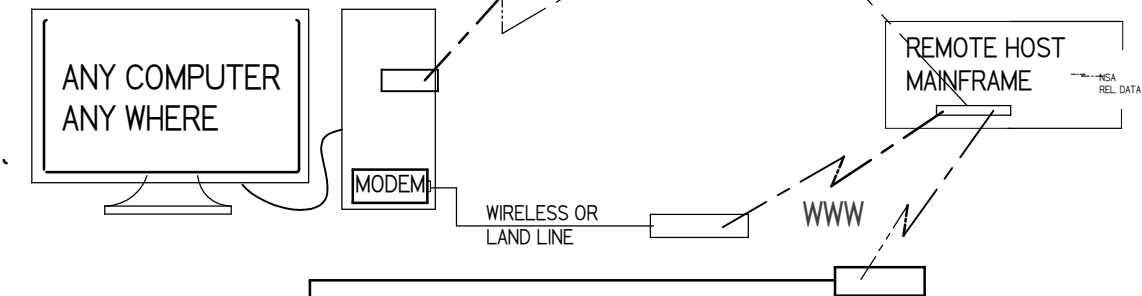


REVISION HISTORY			
REV	DESCRIPTION	DATE	APPROVED
	Controls/ PacNational Bank	4/20/09	



LEGEND AND NOTES:

R-1 [diagonal lines] power to relay unit is in
occ power + unoccupied mode
R-2 [diagonal lines] terminals. Powers relay-1 in
Tran between occupied and

R-3 [diagonal lines] pump, below 50F OA- or as set.
Doc it.

R-4 [diagonal lines] LCI-2 SIGNAL SEASONAL TO
POW switch bypasses it.

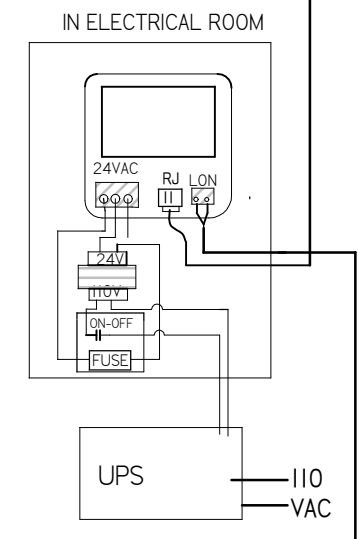
VFD [diagonal lines] y drive. Activa 3I, 1 hp. 208v

3ph [diagonal lines]

PD [diagonal lines] tial transmitter. 24vac power,
0-10

BL [diagonal lines] loop pump control,
ar supply.
VF relay control, occupied
er

PROPRIETARY



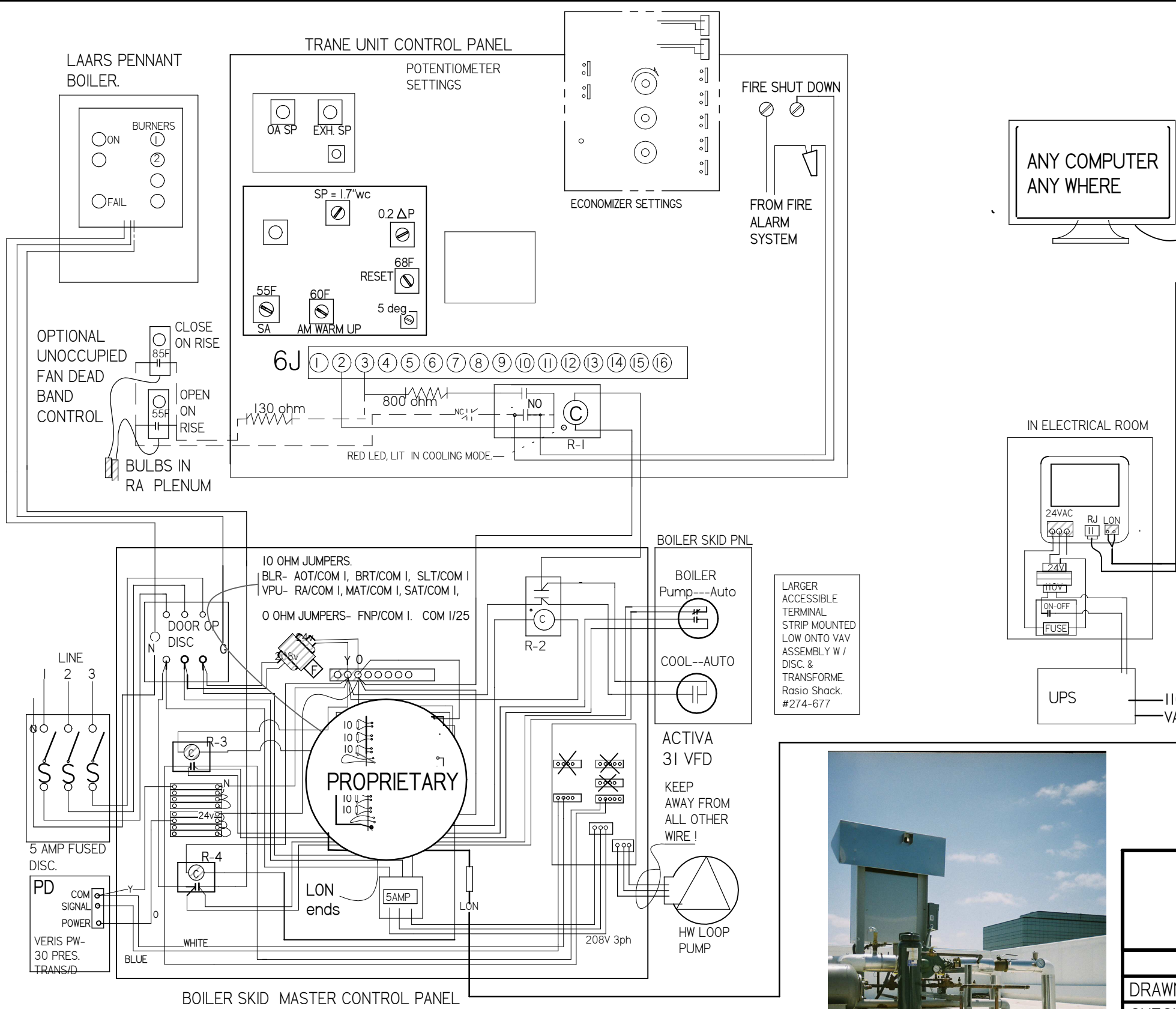
LARGER ACCESSIBLE TERMINAL STRIP MOUNTED LOW ONTO VAV ASSEMBLY W / DISC. & TRANSFORME. Rasio Shack. #274-677



Nielson Mechanical Inc.

HVAC Controls & Automation Division.
(707) 437- 5020 Fairfield, California

	NAME	DATE	<h2>Engineered Systems</h2> <p>A Contract Services Company SCL#360737</p>
DRAWN	phil scott	415	
CHECKED		505-5107	
ENG APPR			
MGR APPR			TITLE XXXX National Bank HVAC and controls XXXX Concord, Calif.
UNLESS OTHERWISE SPECIFIED DIMENSIONS ARE IN INCHES ANGLES *XX* 2 PL *XXX 3 PL *XXXX			SIZE DWG NO B FILE NAME: 8 for web site.dft
SCALE:		NONE	SHEET 3 OF 7



WIRING DIAGRAM- TRANE/ SKID/ BOILER